



HEAT, LIGHT, SOUND: A MULTI-SENSORY SAUNA EXPERIENCE

Introducing a truly remarkable sauna experience, meticulously crafted to captivate your senses. KLAFS and Studio F. A. Porsche challenged conventions to create an extraordinary sanctuary. KLAFS S11 Sauna's unique environment uses groundbreaking light and sound technology to transport you to enchanting realms of relaxation.

PRODUCT FEATURES

Floor plan	Dimensions (D x W): Dimensions from 83" x 94" up to 98" x 122"
Limited-Edition	Only a limited edition will be made; each custom-configured sauna will be discreetly numbered on a Porsche/KLAFS identity plaque
Exterior	Available as a free-standing sauna designed with cabin-high cladding in a high-quality, metallic Champagne finish; also available as a custom-made, built-in sauna
Interior	Hemlock wood veneer slats run along three sides; behind wooden slats is a wall made of translucent Japanese Washi paper; the combination of the wood slats and Washi paper help create the lighting effect unique to the S11 Sauna
Benches	Two-tiered, "floating" benches (straight or L-shaped); steps also provided
Front Wall & Door	Frameless, all-glass front (ESG or insulated glass) across the entire width of the cabin (also available with a glass corner, 2-part glass front, or glass door only)
Lighting & Sound	Exclusive lighting and sound technology creates five light-sound setting options: 1) Relaxing Amber, 2) Pulse of Nature, 3) Magic Blue Sea, 4) Night and Light and 5) Colorful
Heating	FERO Sauna Heater or MAJUS Sauna Heater with 21-series control unit; SANARIUM® available
Optional Equipment	WiFi enabled control, ROMEO and JULIET Sauna Pendant Lights, NOOA Luminaire, MOLLIS® Sauna Pillows & Mats
For more product information, please contact us.	

KLAFS S11 Sauna

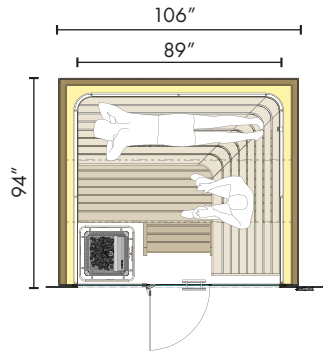
FLOOR PLAN EXAMPLES

OFFICIAL PARTNER OF
KLAFS

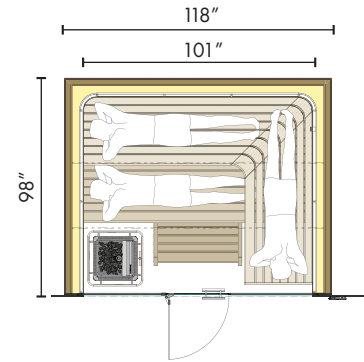
FRAMELESS GLASS FRONT (ESG OR INSULATED)

L-SHAPED BENCH

S11 2400/2700 (94"/106")

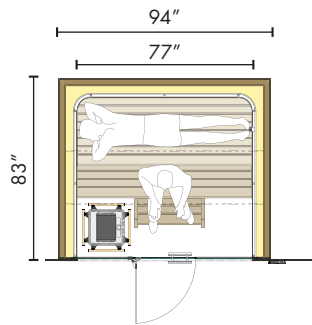


S11 2500/3000 (98"/118")
Up to 3100 (122") for insulated glass

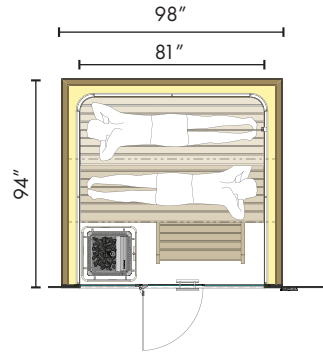


STRAIGHT BENCH

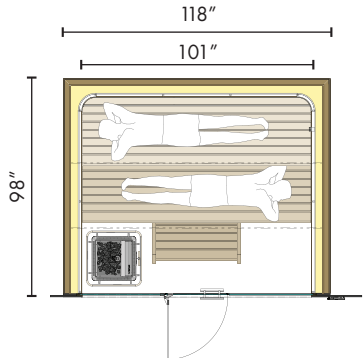
S11 2100/2400 (83"/94")



S11 2400/2500 (94"/98")

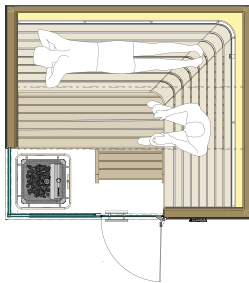


S11 2500/3000 (98"/118")
Up to 3100 (122") for insulated glass

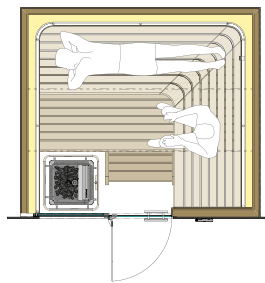


OPTIONAL FRONT WALL DESIGN VARIATIONS

GLASS CORNER



GLASS FRONT - TWO PARTS



GLASS DOOR

